

# HELiOS Plus (H300)

**Figure 1: Configurable Parts**

Item Number	Description	Quantity	Bubble Seq No
B-701542-00	Handle	1	1
B-701594-00	Strap, Contents Indicator	1	2
B-701599-00	Screw, Torx Head, 6-19 x 3/4-in. Plastite	2	3
B-701592-00	Pull Handle, Contents Indicator	1	4
B-701755-00	Pad, Non-Stick	1	5
B-775028-00	Pin, Hitch	1	6
B-701530-00	Label, Warning - English	1	7
B-700856-00	Label, Warning - Symbolic (International)	1	
B-701598-00	Screw, Torx Head, 6-19 x 1/2-in. Plastite	5	8
B-701593-00	Indicator Plate	1	9
B-701591-00	Spring, Contents Indicator	2	10
B-701539-00	Back Cover	1	11
B-701586-00	Quick Connect, Oxygen Supply Line (includes item 13)	1	12
Reference	Nut, Quick Connect	1	13
B-702187-00	HELiOS PLUS Front Cover	1	14
B-701538-00	HELiOS Front Cover (for pre-2004 units)	1	
B-701601-00	Knob Assembly (Includes Flow Decal)	1	15
B-702007-00	Barbed Connector, 1/8-in. x 3/16-in. Tube	2	16
B-701597-00	C-clip	2	17
B-702019-SV	Service Bottle	1	18

# HELiOS Plus (H300)

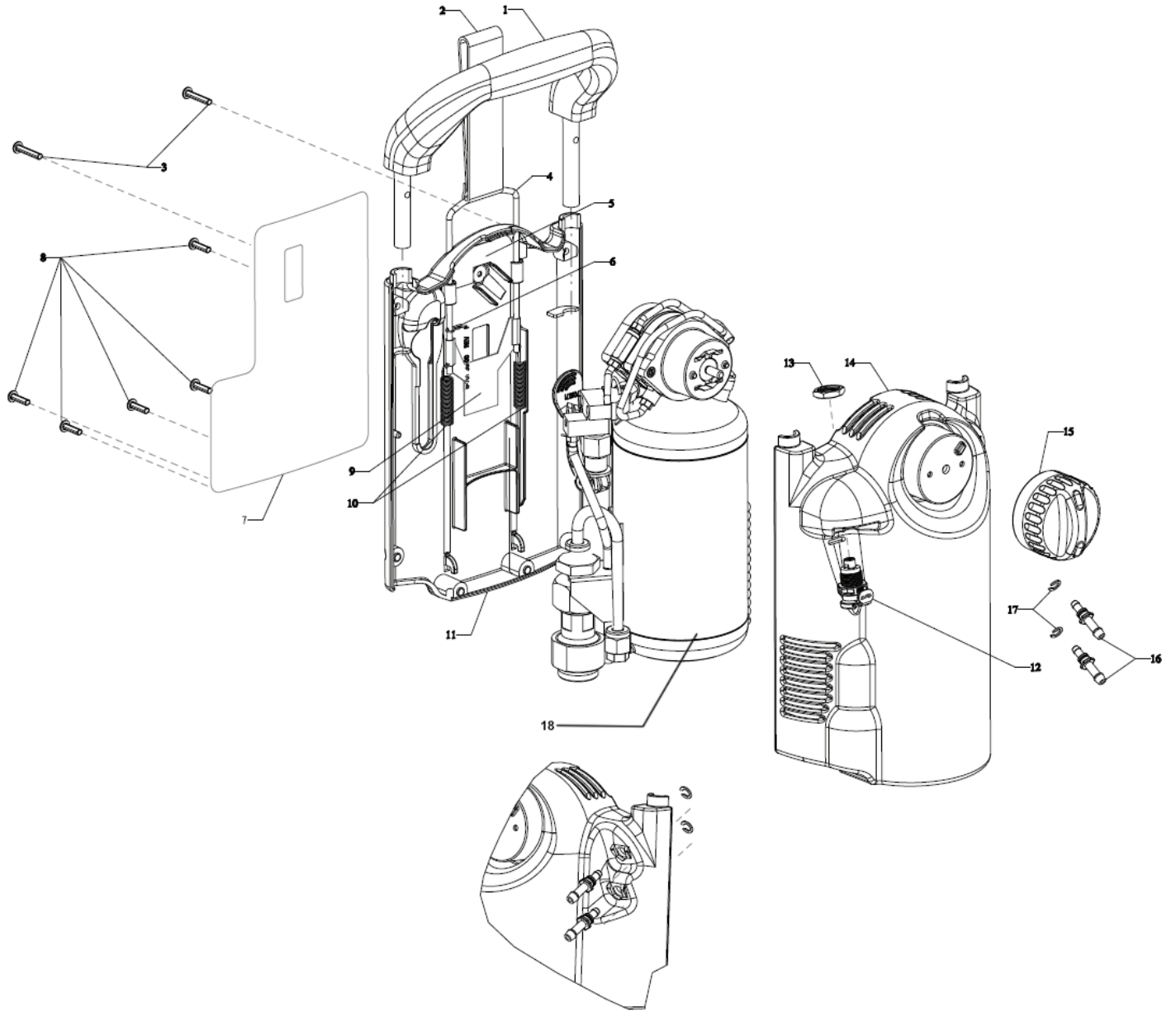


Figure 1: Configurable Parts



# HELIOS Plus (H300)

**Figure 3: Conserver**

Item Number	Description	Quantity	Bubble Seq No
B-702132-SV	Flow Control Valve (includes items 2-5)	1	1
6-777736-00	Filter Screen	1	2
B-778167-00	Fitting, Brass – 1/16-in. Barb x 10-32	1	3
B-778157-00	Fitting, Brass – 1/8-in. Barb x 10-32	1	4
B-701685-00	Elbow, Nylon – 1/8-in. Barb	1	5
B-701585-SV	Tubing, Silicone – 1/8-in. x 3-in.	2	
B-701975-00	Tube Spring	2	7

Item Number	Description	Quantity	Bubble Seq No
B-701584-SV	Tube, Black Flexible – 1/16-in. x 7 1/2-in.	1	8
B-701582-SV	Tube, Black Flexible – 1/16-in. x 2-in.	1	9
B-701587-00	Check Valve, Inline	1	10
B-701583-SV	Tube, Black Flexible – 1/16-in. x 3-in.	2	11
B-701526-00	Tee, Barbed – 1/16-in. Flexible Tube	1	12

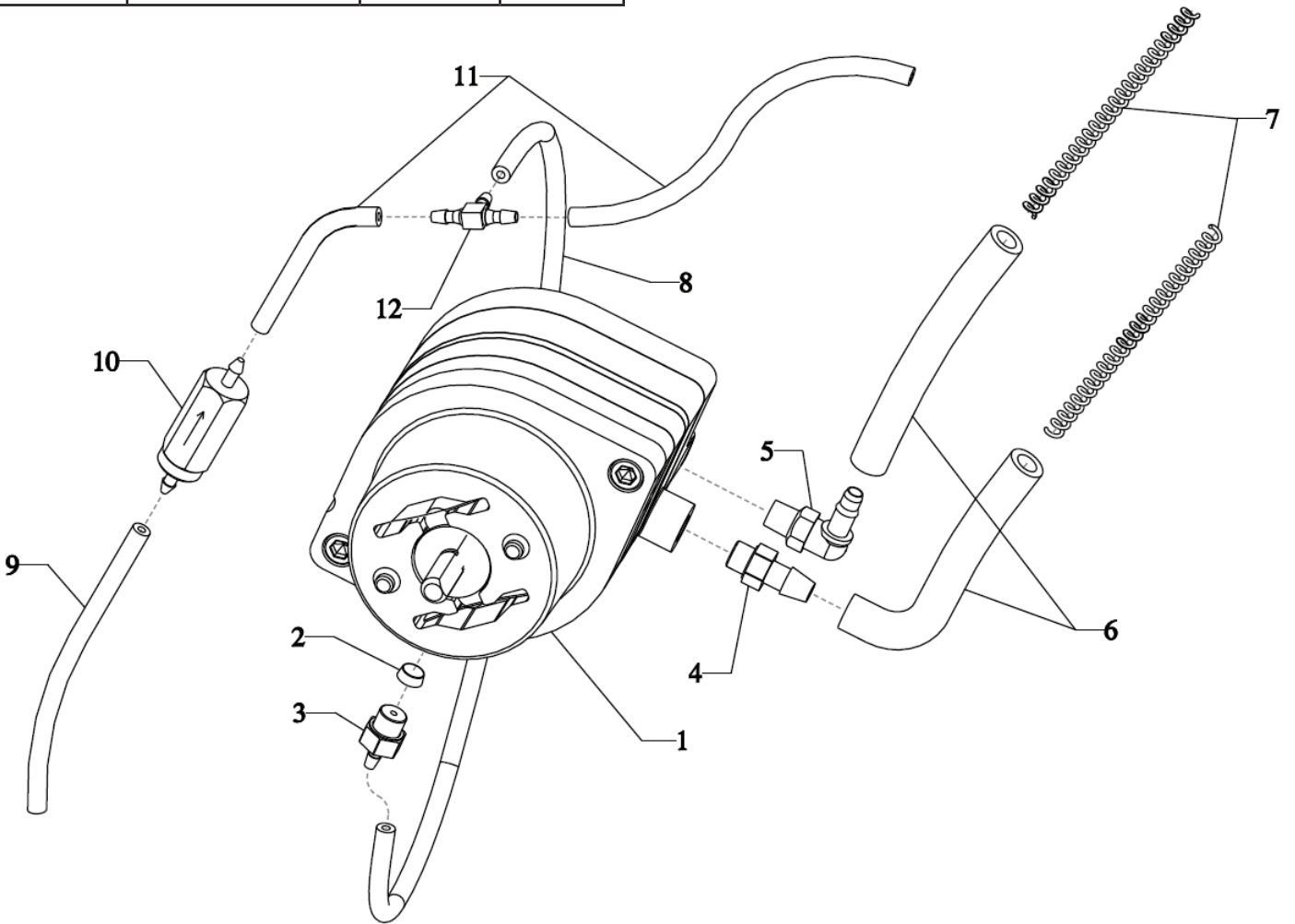


Figure 3: Conserver

## Figure 4: Relief Valve & Heat Exchanger

Item Number	Description	Quantity	Bubble Seq No
B-702075-00	Relief Valve, Secondary – 80 PSI	1	1
B-778167-00	Fitting, Brass – 1/16-in. Barb x 10-32	1	2
B-702074-00	Relief/Economizer Valve	1	3
B-701590-00	Ferrule, Brass – 1/8-in. Tube	4	4
B-701589-00	Nut, Aluminum – 1/8-in. Tube	4	5
B-701579-SV	Warming Coil, Gas – 1/8-in. Tube	1	6
B-701577-SV	Warming Coil, Liquid – 1/8-in. Tube	1	7

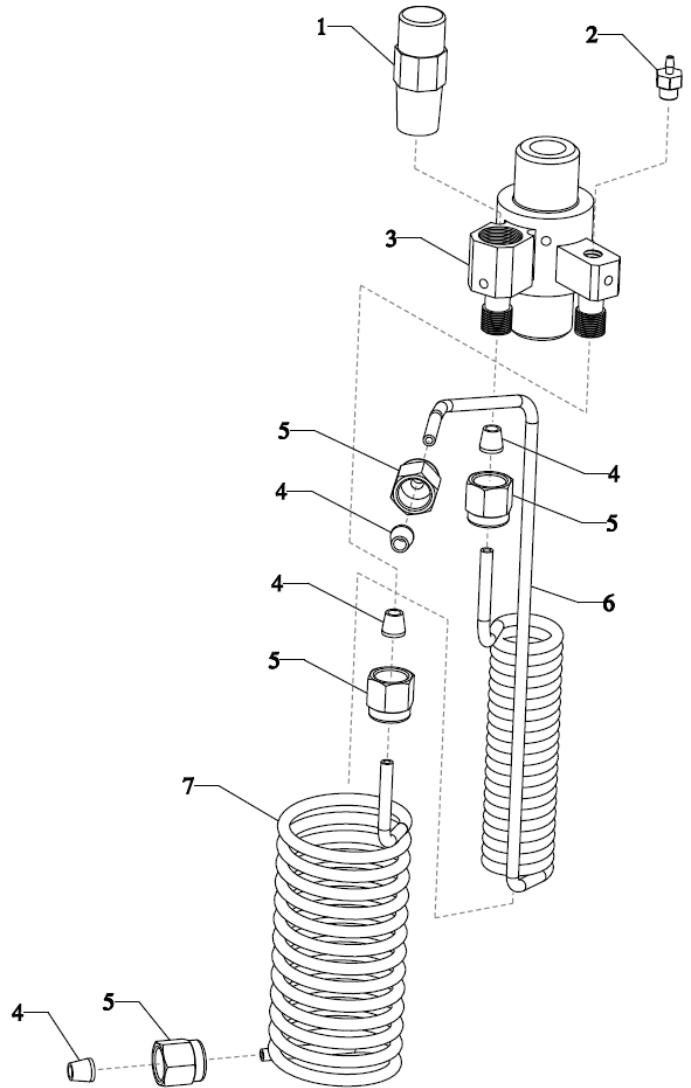


Figure 4: Relief Valve & Heat Exchanger

**Figure 5: Vent Valve Assembly**

Item Number	Description	Quantity	Bubble Seq No
10021673	Vent Valve Toggle	1	1
B-701335-SV	Teflon Washer	1	2
B-775089-00	Spring Pin	1	3
B-701971-00	Lever, Vent Valve	1	4
B-701972-00	Torsion Spring	1	5
10020285-SV	Vent Tube, Flexible 1/8" x 3.5" Green	1	6
B-778157-00	Fitting, Brass – 1/8-in. Barb x 10-32	1	7

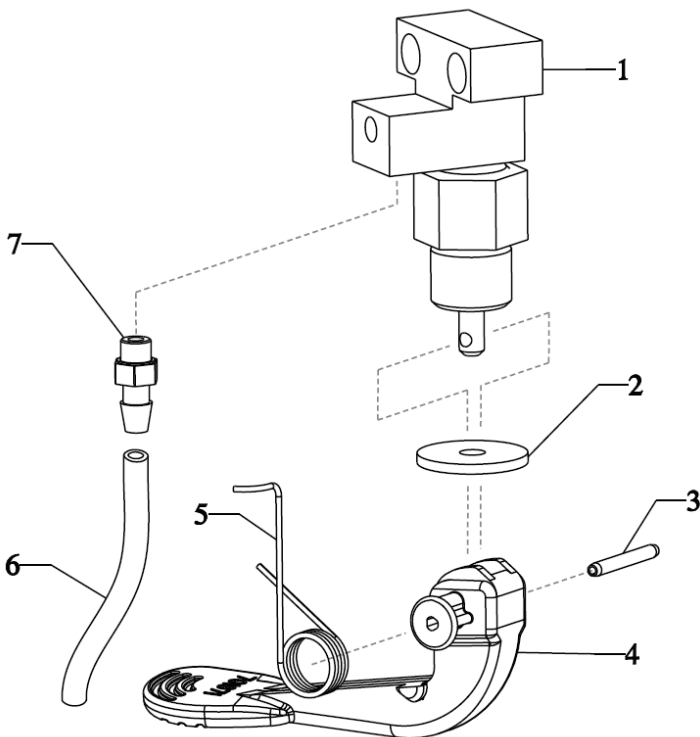


Figure 5: Vent Valve Assembly

**Figure 6: Quick Disconnect Valve**

Item Number	Description	Quantity	Bubble Seq No
20553107	Female QDV Assy (includes items 2, 3, 4)	1	1
B-775261-00	Jam Nut, Female QDV	1	2
B-775263-00	Adapter, Female Fill QDV	1	3
B-775260-00	Lip Seal	1	4

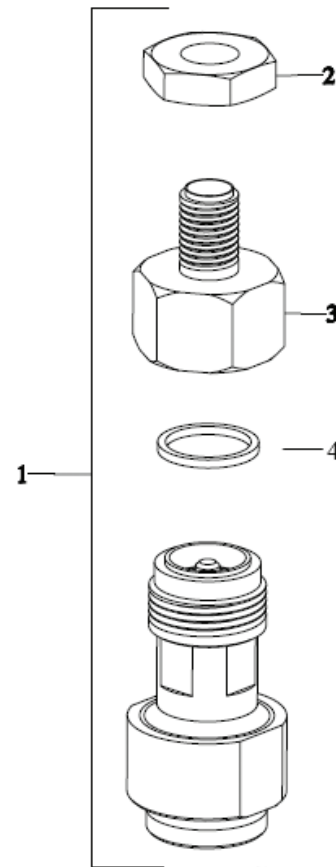


Figure 6: Quick Disconnect Valve